



**Hydraulic System  
Made in USA**

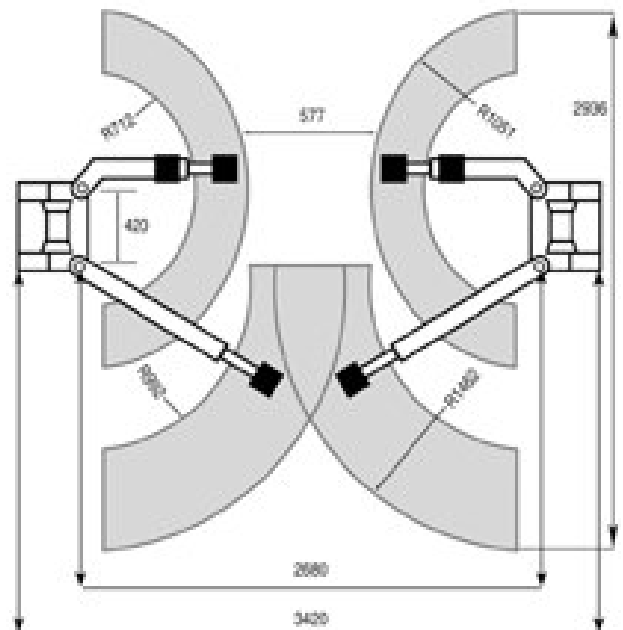
**30-20904 2-Post Lift 9,000 Lbs.  
Clear Floor Model**

**Features:**

- 9,000 Lbs. Lifting Capacity
- Single Point Safety Release
- Dual Hydraulic "Direct-Drive" Cylinders
- Electric/Hydraulic Power System
- Self-Lubricating Bearing System
- Safety Locks In Each Column Spaced Every 3-inches
- Automatic Arm Restraints
- Heavy-Duty Dual 3/8" Equalizer Cables
- Padded Overhead Safety-Shutoff Bar
- Style Asymmetric Clearfloor
- Design allows open doors wharrow space between columns

**Specifications:**

Lifting Capacity:	9,000 Lbs.
Max Lifting Height:	1800 mm / 70.87'
Base Plate:	18" X 13.5" - A36 Steel
Lifting Time:	50 Seconds
Overall Height:	3620 mm / 142.51'
Overall Width:	3420 mm / 134.6'
Width Between Posts:	2800 mm / 110.23'
Drive Thru Clearance:	2400 mm / 94.48'
Minimum Pad Height:	117 mm / 4.6"
Motor:	220 VAC 60Hz. 1Ph or 220 VAC 50Hz 1Ph





**30-SS0801A** Scissor Lift 7,700 Lbs. Alignment

**30-SS0801S** Scissor Lift 7,700 Lbs. Service

**30-SS1201A** Scissor Lift 12,000 Lbs. Alignment

**30-SS1201S** Scissor Lift 12,000 Lbs. Service



**Specifications:**

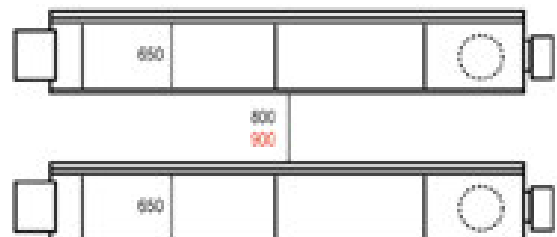
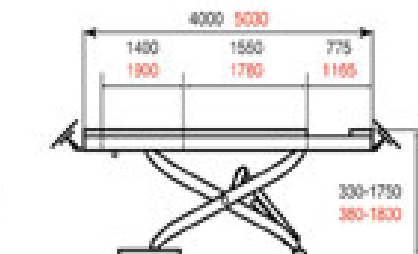
	30-SS0801A	30-SS1201A
	30-SS0801S	30-SS1201S
Total Length:	4000 mm / 157"	5030 mm / 198"
Lifting Height:	1750 mm / 68"	1830 mm / 72"
Lifting Capacity:	3.5 T / 7,700 lbs	5.5 T / 12,000 lbs
Width of the Track:	650 mm / 25.5"	650 mm / 25.5"

**Features**

- Automatic wheel alignment leveling system
- Pneumatic Self Locking Device for increased safety and reliability
- Models 30-SS0801A / 30-SS1201A include Rear Slip Plates
- Models 30-SS0801A / 30-SS1201A have provision for front turning radius plates
- Position of the front plates is adjustable
- Rolling Jack available in 2 and 3 Ton capacity
- Meets and exceeds CE requirements
- Can be installed in ground or above ground
- Low space requirement and convenient to use



**Automatic Locking System**



**Let BEAR Lift Your Business!**



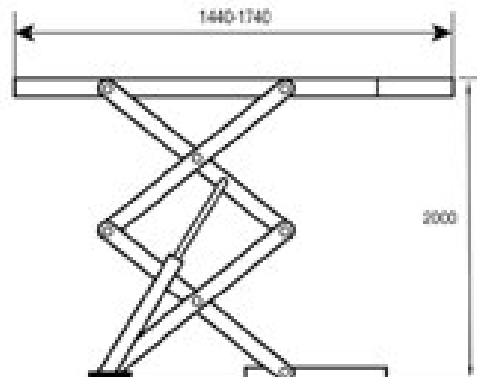
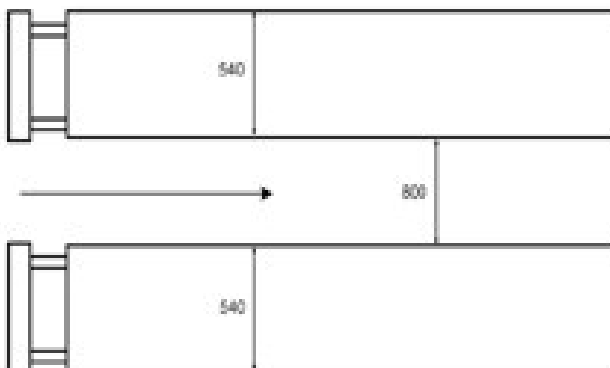
**Hydraulic  
System  
Made in Italy**

**30-SS0601S** Platform Scissor Lift 6,600 Lbs.



**Features:**

- Scissor concealing structure occupies smaller space
- Pneumatic self-locking wide teeth
- Anti explosion pneumatics ensures safety and reliability
- Ease of use and maintenance
- Highest lift height in the industry: 2m
- Adjustable platform accommodates many different types of vehicles
- 6,600 Lbs. lifting capacity



# BEAR

A Heritage of Excellence!

**30-40801A** 4-Post Lift 8,000 Lbs. Alignment

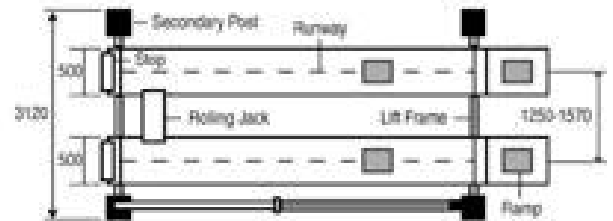
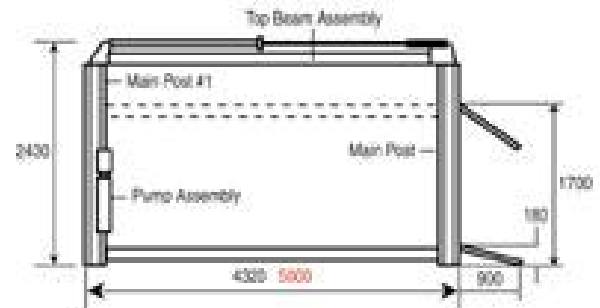
**30-40801S** 4-Post Lift 8,000 Lbs. Service

**30-41203A** 4-Post Lift 12,000 Lbs. Alignment

**30-40202S** 4-Post Lift 12,000 Lbs. Service

### Features:

- Electric/Hydraulic Power System
- Heavy Duty Chain
- Self Lubricating Bearings
- Multi-Position safety lock in each column
- Push button safety release
- Adjustable Runways
- Integrated rear slip plates
- Drive-thru ramps (optional)



### Specifications:

	30-40801A & 30-40801S	30-41203A & 30-40202S
Lift Type:	Four Post Alignment and Service Lifts	Four Post Alignment and Service Lifts
Lifting Capacity:	3.5 metric Tons (7700 Lbs)	5.5 metric Tons (12111 Lbs)
Lifting Height:	1700 mm (66.93 in)	1700 mm (66.93 in)
Lifting Times:	60-75 seconds	60-75 seconds
Overall Height:	2430 mm (95.67 in)	2430 mm (95.67 in)
Overall Length:	4320 mm (170 in)	5000 mm (196.85 in)
Overall Width:	3120 mm (122.83 in)	3120 mm (122.83 in)
Runway Width:	500 mm (19.69 in)	500 mm (19.69 in)
Width Between Posts:	2660 mm (104.72 in)	2660 mm (104.72 in)



**Hydraulic System  
Made in USA**



Rear Plate Rollers



# *Special Applications*

## **FOUR POST LIFTS**



**30-42701** Heavy Duty  
27,000 Lbs. Service & Alignment

**Other special lifts are available for:**

- Trucks
- Alignment

## *Accessories*

### **ROLLING JACKS**

**30-JB0602** 2-Ton Rolling Jack  
Used in the 30-40801A or 30-41203A (Four Post Alignment)  
uses an Air pump

**30-JB0603** 2-Ton Rolling Jack  
Used in the 30-SS0801 (Scissor Lift) does not require air pump,  
uses power from central unit, can be used with air pump if desired

**30-JB0604** 3-Ton Rolling Jack  
Used in the 30-SS1201 (Scissor Lift) does not require air pump,  
uses power from central unit, can be used with air pump if desired



***866-OWN-BEAR***  
***(866-696-2327)***

**BEAR**<sup>®</sup>  
A Heritage of Excellence!